

# NM27C020

## 2,097,152-Bit (256K x 8) UV Erasable CMOS EPROM

### General Description

The NM27C020 is a high speed 2 Megabit CMOS UV-EPROM manufactured on Fairchild's advanced sub-micron technology. Utilizing the AMG architecture, this advanced CMOS process delivers high speeds while consuming low power.

The NM27C020 provides microprocessor-based systems extensive storage capacity for large portions of operating systems and application software. Its 100ns access time provides no-wait-state operation with high-performance CPUs.

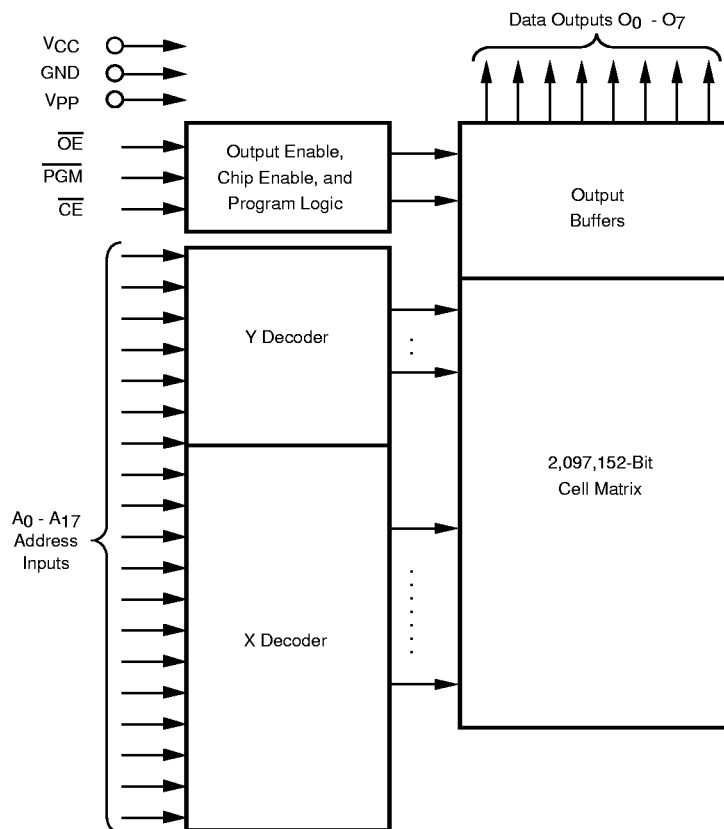
The NM27C020 offers a single chip solution for the code storage requirements of 100% firmware-based equipment. Frequently-used software routines are quickly executed from EPROM storage, greatly enhancing system utility.

The NM27C020 is manufactured using Fairchild's advanced CMOS AMG EPROM technology, and is one member of a high density Fairchild EPROM series family which range in densities up to 4Mb.

### Features

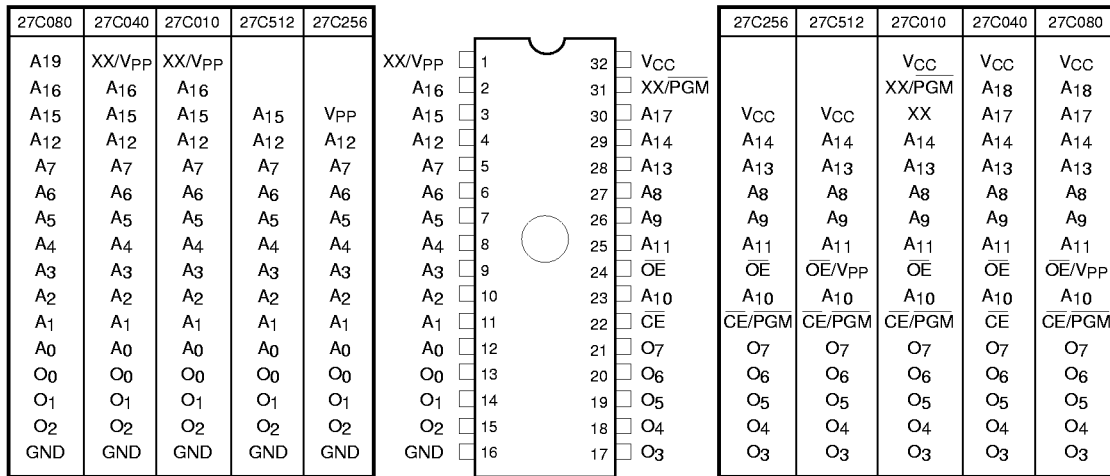
- High performance CMOS
  - 100 ns access time
- Simplified upgrade path
  - $V_{PP}$  and PGM are "Don't Care" during normal read operation
- Manufacturers identification code
- JEDEC Standard Pin Configuration
  - 32-pin CERDIP package
  - 32-pin PLCC package
  - 32-pin PDIP package

### Block Diagram



DS010835-1

## Connection Diagrams



Note: Compatible EPROM pin configurations are shown in the blocks adjacent to the NM27C020 pins.

DS010835-10

## Commercial Temperature Range (0°C to +70°C) $V_{CC} = 5V \pm 10\%$

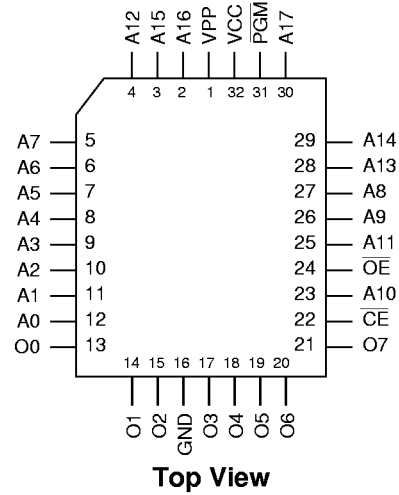
Parameter/Order Number	Access Time (ns)
NM27C020 Q, V, N 100	100
NM27C020 Q, V, N 120	120
NM27C020 Q, V, N 150	150

All versions are guaranteed to function at slower speeds.

## Extended Temperature Range (-40°C to +85°C) $V_{CC} = 5V \pm 10\%$

Parameter/Order Number	Access Time (ns)
NM27C020 QE, VE, TE, NE 120	120
NM27C020 QE, VE, TE, NE 150	150

## PLCC Pin Configuration

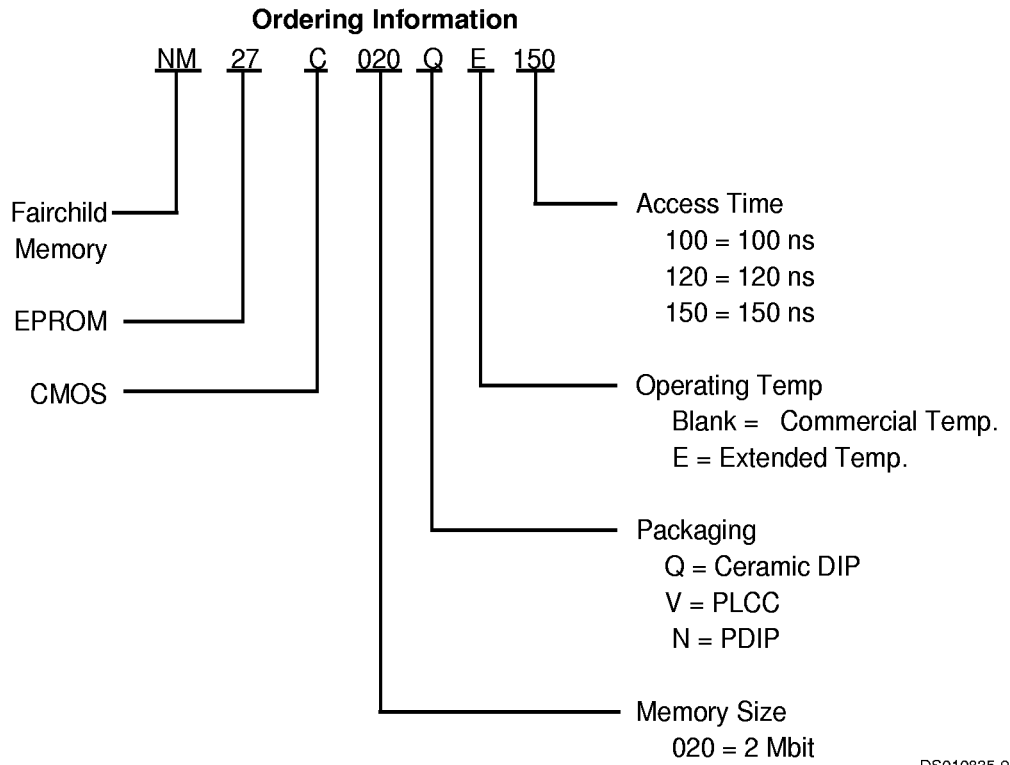


DS010835-3

## Pin Names

A0 –A17	Addresses
CE	Chip Enable
OE	Output Enable
O0 –O7	Outputs
PGM	Program
XX	Don't Care (During Read)

### Connection Diagrams (Continued)



DS010835-9

### Absolute Maximum Ratings (Note 1)

Storage Temperature	-65°C to +125°C
All Input Voltage Except A9 with Respect to Ground (Note 13)	-0.6V to +7V
V <sub>PP</sub> and A9 with Respect to Ground	-0.6V to +14V
V <sub>CC</sub> Supply Voltage with Respect to Ground	-0.6V to +7V
ESD Protection	>2000V

All Output Voltages with Respect to Ground (Note 13) V<sub>CC</sub> + 10V to GND -0.6V

### Operating Range

Range	Temperature	V <sub>CC</sub>	Tolerance
Commercial	0°C to +70°C	+5V	±10
Industrial	-40°C to +85°C	+5V	±10%

### DC Read Characteristics Over Operating Range with V<sub>PP</sub> = V<sub>CC</sub>

Symbol	Parameter	Test Conditions	Min	Max	Units
V <sub>IL</sub>	Input Low Level		-0.5	0.8	V
V <sub>IH</sub>	Input High Level		2.0	V <sub>CC</sub> + 1	V
V <sub>OL</sub>	Output Low Voltage	I <sub>OL</sub> = 2.1 mA		-0.4	V
V <sub>OH</sub>	Output High Voltage	I <sub>OH</sub> = -400 μA	3.5		V
I <sub>SB1</sub> (Note 4)	V <sub>CC</sub> Standby Current (CMOS)	CE = V <sub>CC</sub> ± 0.3V		100	μA
I <sub>SB2</sub>	V <sub>CC</sub> Standby Current (TTL)	CE = V <sub>IH</sub>		1	mA
I <sub>CC</sub> (Note 2)	V <sub>CC</sub> Active Current	CE, OE = V <sub>IL</sub> I/O = 0 mA, f = 5 MHz Inputs = V <sub>IH</sub> or V <sub>IL</sub>	Commercial	30	mA
			Industrial	30	
I <sub>PP</sub>	V <sub>PP</sub> Supply Current	V <sub>PP</sub> = V <sub>CC</sub>		10	μA
V <sub>PP</sub>	V <sub>PP</sub> Read Voltage		V <sub>CC</sub> - 0.4	V <sub>CC</sub>	V
I <sub>LI</sub>	Input Load Current	V <sub>IN</sub> = 5.5 or GND	-1	1	μA
I <sub>LO</sub>	Output Leakage Current	V <sub>OUT</sub> = 5.5V or GND	-10	10	μA

### AC Read Characteristics Over Operating Range with V<sub>PP</sub> = V<sub>CC</sub>

Symbol	Parameter	100		120		150		Units
		Min	Max	Min	Max	Min	Max	
t <sub>ACC</sub>	Address to Output Delay		100		120		150	ns
t <sub>CE</sub>	CE to Output Delay		100		120		150	ns
t <sub>OE</sub>	OE to Output Delay		40		45		50	ns
t <sub>DF</sub> (Note 3)	Output Disable to Output Float		40		45		50	ns
t <sub>OH</sub>	Output Hold from Addresses, CE or OE, Whichever Occurred First	0		0		0		ns

**Note 1:** Stresses above those listed under "Absolute Maximum Ratings" may cause permanent damage to the device. This is a stress rating only and functional operation of the device at these or any other conditions above those indicated in the operational sections of this specification is not implied. Exposure to absolute maximum rating conditions for extended periods of time may affect device reliability.

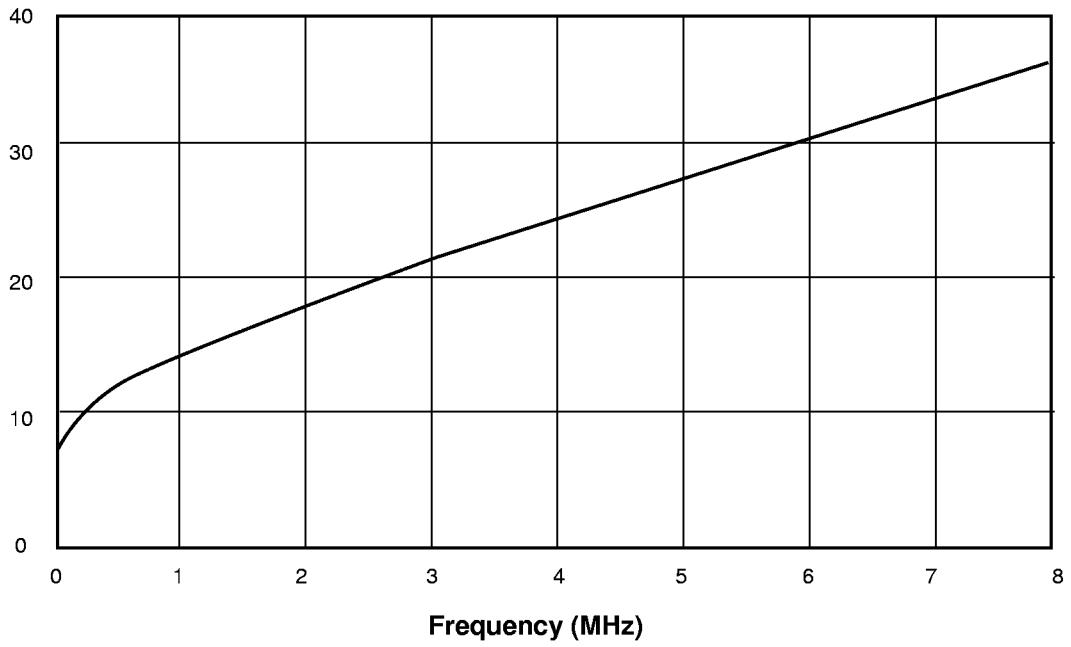
**Note 2:** The supply current is the sum of I<sub>CC</sub> and I<sub>PP</sub>. The maximum current value is with Outputs O0 to O7 unloaded.

**Note 3:** This parameter is only sampled and is not 100% tested. Output Float is defined as the point where data is no longer driven-see timing diagram.

**Note 4:** CMOS inputs: V<sub>IL</sub> = GND 10.3V, V<sub>IH</sub> = V<sub>CC</sub> 10.3V.

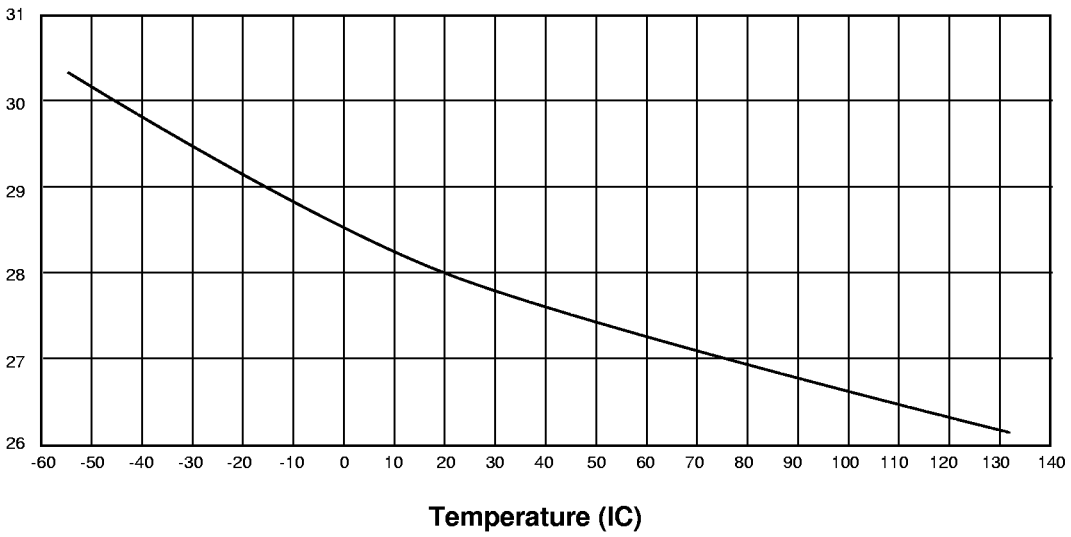
### AC Read Characteristics (Continued)

$I_{CC}$  vs. Frequency



DS010835-7

$I_{CC}$  vs. Temperature



DS010835-8

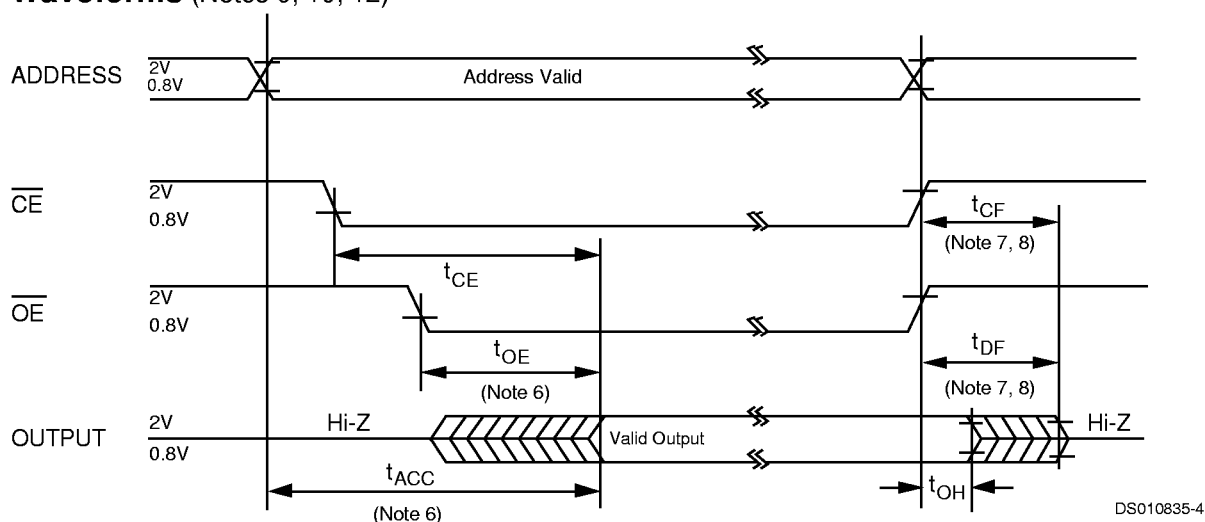
**Capacitance**  $T_A = +25^\circ\text{C}$ ,  $f = 1\text{ MHz}$  (Note 5)

Symbol	Parameter	Conditions	Typ	Max	Units
$C_{IN}$	Input Capacitance	$V_{IN} = 0\text{V}$	9	15	pF
$C_{OUT}$	Output Capacitance	$V_{OUT} = 0\text{V}$	12	15	pF

**AC Test Conditions**

Output Load	1 TTL Gate and $C_L = 100\text{ pF}$ (Note 11)
Input Rise and Fall Times	$\leq 5\text{ ns}$
Input Pulse Levels	0.45V to 2.4V
Timing Measurement Reference Level (Note 13)	
Inputs	0.8V and 2V
Outputs	0.8V and 2V

**AC Waveforms** (Notes 9, 10, 12)



- Note 5:** This parameter is only sampled and is not 100% tested.
- Note 6:**  $\overline{OE}$  may be delayed up to  $t_{ACC} - t_{OE}$  after the falling edge of  $\overline{CE}$  without impacting  $t_{ACC}$ .
- Note 7:** The  $t_{DF}$  and  $t_{CF}$  compare level is determined as follows:  
High to TRI-STATE®, the measured  $V_{OH1}$  (DC) - 0.10V;  
Low to TRI-STATE, the measured  $V_{OL1}$  (DC) + 0.10V.
- Note 8:** TRI-STATE may be attained using  $\overline{OE}$  or  $\overline{CE}$ .
- Note 9:** The power switching characteristics of EPROMs require careful device decoupling. It is recommended that at least a 0.1 MF ceramic capacitor be used on every device between  $V_{CC}$  and GND.
- Note 10:** The outputs must be restricted to  $V_{CC} + 1.0\text{V}$  to avoid latch-up and device damage.
- Note 11:** 1 TTL Gate:  $I_{OL} = 1.6\text{ mA}$ ,  $I_{OH} = -400\text{ }\mu\text{A}$ .  
 $C_L$ : 100 pF includes fixture capacitance.
- Note 12:**  $V_{PP}$  may be connected to  $V_{CC}$  except during programming.
- Note 13:** Inputs and outputs can undershoot to -2.0V for 20 ns Max.

### Programming Characteristics (Notes 14, 15, 16, 17)

Symbol	Parameter	Condition	Min	Typ	Max	Units
$t_{AS}$	Address Setup Time		1			$\mu s$
$t_{OES}$	OE Setup Time		1			$\mu s$
$t_{CES}$	CE Setup Time	$OE = V_{IH}$	1			$\mu s$
$t_{DS}$	Data Setup Time		1			$\mu s$
$t_{VPS}$	$V_{PP}$ Setup Time		1			$\mu s$
$t_{VCS}$	$V_{CC}$ Setup Time		1			$\mu s$
$t_{AH}$	Address Hold Time		0			$\mu s$
$t_{DH}$	Data Hold Time		1			$\mu s$
$t_{DF}$	Output Enable to Output Float Delay	$CE = V_{IL}$	0		60	ns
$t_{PW}$	Program Pulse Width		45	50	105	$\mu s$
$t_{OE}$	Data Valid from OE	$CE = V_{IL}$			100	ns
$I_{PP}$	$V_{PP}$ Supply Current during Programming Pulse	$CE = V_{IL}$ $PGM = V_{IL}$			15	mA
$I_{CC}$	$V_{CC}$ Supply Current				20	mA
$T_A$	Temperature Ambient		20	25	30	$^{\circ}C$
$V_{CC}$	Power Supply Voltage		6.25	6.5	6.75	V
$V_{PP}$	Programming Supply Voltage		12.5	12.75	13.0	V
$t_{FR}$	Input Rise, Fall Time		5			ns
$V_{IL}$	Input Low Voltage			0.0	0.45	V
$V_{IH}$	Input High Voltage		2.4	4.0		V
$t_{IN}$	Input Timing Reference Voltage		0.8		2.0	V
$t_{OUT}$	Output Timing Reference Voltage		0.8		2.0	V

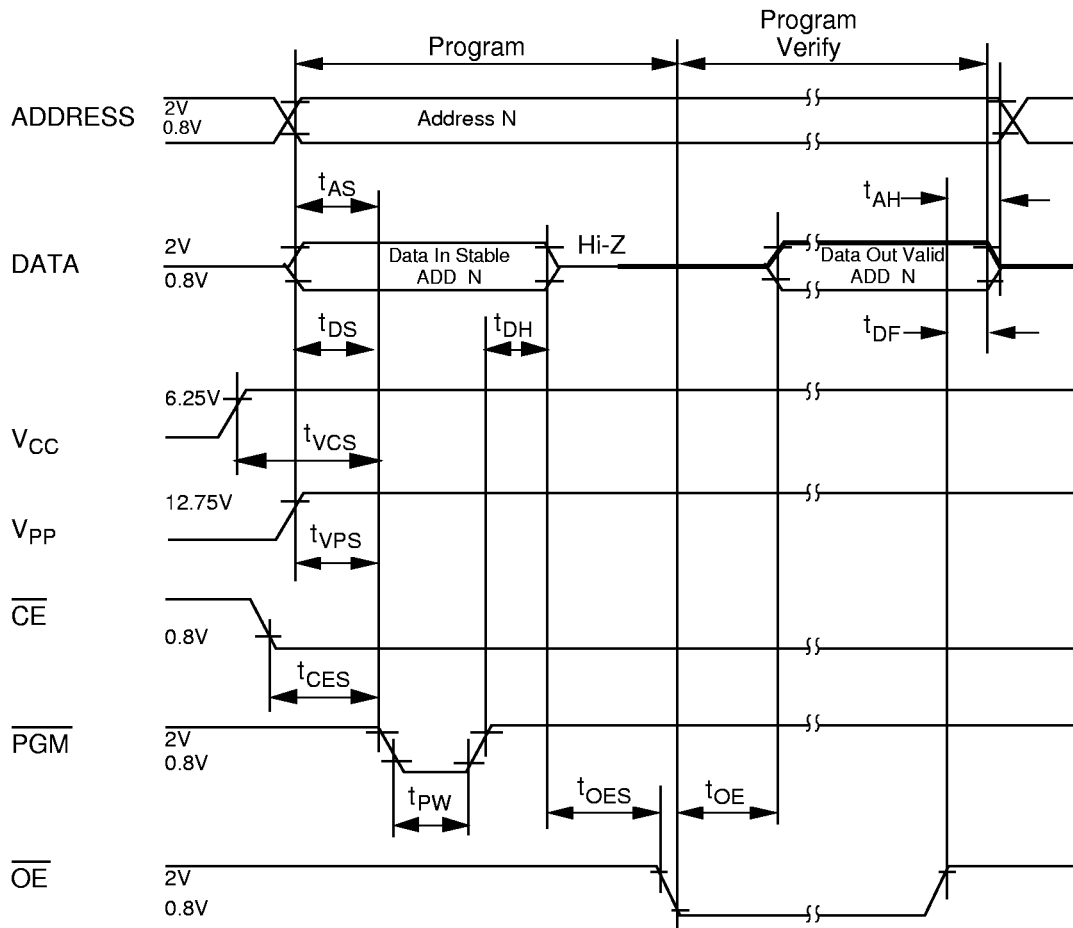
**Note 14:** Fairchild's standard product warranty applies only to devices programmed to specifications described herein.

**Note 15:**  $V_{CC}$  must be applied simultaneously or before  $V_{PP}$  and removed simultaneously or after  $V_{PP}$ . The EPROM must not be inserted into or removed from a board with voltage applied to  $V_{PP}$  or  $V_{CC}$ .

**Note 16:** The maximum absolute allowable voltage which may be applied to the  $V_{PP}$  pin during programming is 14V. Care must be taken when switching the  $V_{PP}$  supply to prevent any overshoot from exceeding this 14V maximum specification. At least a 0.1  $\mu F$  capacitor is required across  $V_{PP}$ ,  $V_{CC}$  to GND to suppress spurious voltage transients which may damage the device.

**Note 17:** During power up the PGM pin must be brought high ( $\geq V_{IH}$ ) either coincident with or before power is applied to  $V_{PP}$ .

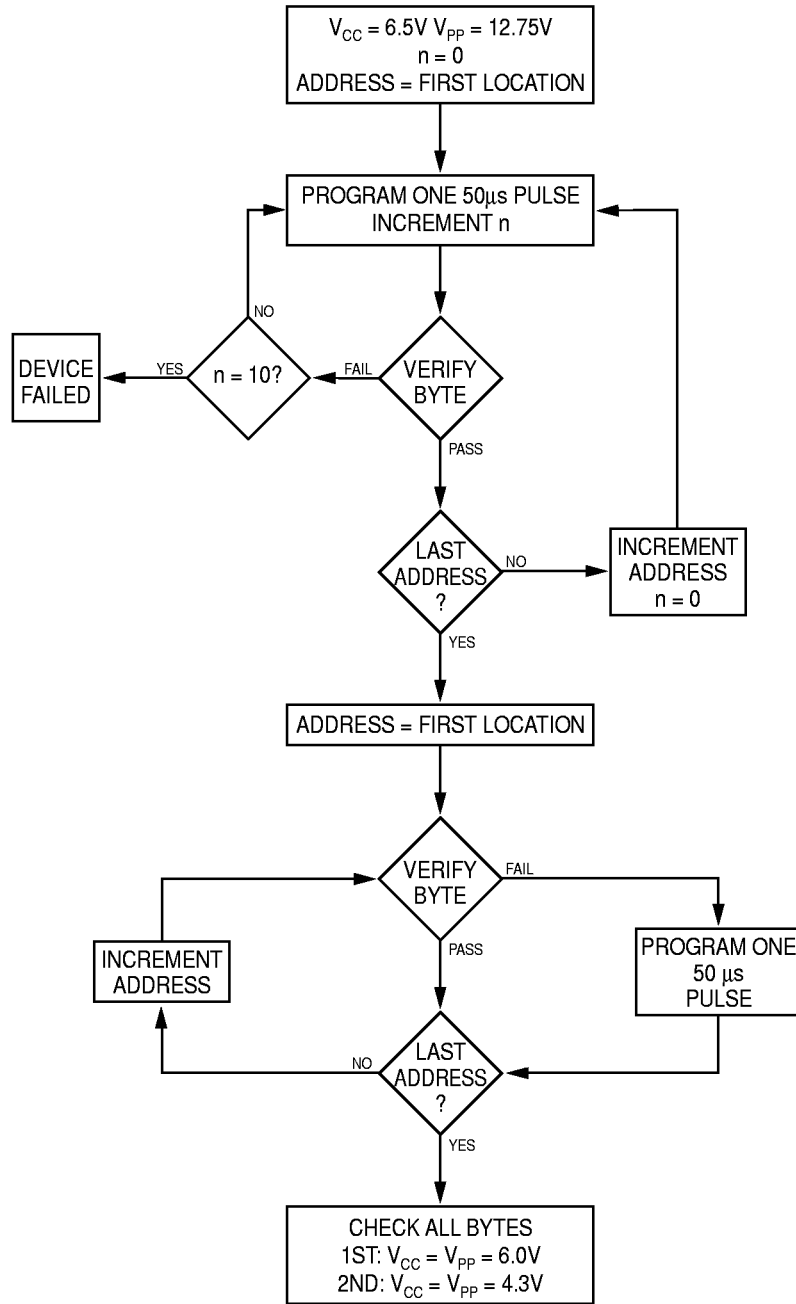
**Programming Waveforms (Note 16)**



DS010835-5



### Turbo Programming Algorithm Flow Chart



**Note:** The standard National Semiconductor Algorithm may also be used but it will have longer programming time.

DS010835-6

**FIGURE 1.**

## Functional Description

### DEVICE OPERATION

The six modes of operation of the device are listed in Table 1. It should be noted that all inputs for the six modes are at TTL levels. The power supplies required are  $V_{CC}$  and  $V_{PP}$ . The  $V_{PP}$  power supply must be at 12.75V during the three programming modes, and must be at 5V in the other three modes. The  $V_{CC}$  power supply must be at 6.5V during the three programming modes, and at 5V in the other three modes.

#### Read Mode

The part has two control functions, both of which must be logically active in order to obtain data at the outputs. Chip Enable ( $\overline{CE}$ ) is the power control and should be used for device selection. Output Enable ( $\overline{OE}$ ) is the output control and should be used to gate data to the output pins, independent of device selection. Assuming that the addresses are stable, address access time ( $t_{ACC}$ ) is equal to the delay from  $\overline{CE}$  to output ( $t_{CE}$ ). Data is available at the outputs  $t_{OE}$  after the falling edge of  $\overline{OE}$ , assuming that  $\overline{CE}$  has been low and addresses have been stable for at least  $t_{ACC} - t_{OE}$ .

#### Standby Mode

The EPROM has a standby mode which reduces the active power dissipation by over 99%, from 220 mW to 0.55 mW. The EPROM is placed in the standby mode by applying a CMOS high signal to the  $\overline{CE}$  input. When in standby mode, the outputs are in a high impedance state, independent of the  $\overline{OE}$  input.

#### Output OR-Tying

Because the part is usually used in larger memory arrays, Fairchild has provided a 2-line control function that accommodates this use of multiple memory connections. The 2-line control function allows for:

1. the lowest possible memory power dissipation, and
2. complete assurance that output bus contention will not occur.

### MODE SELECTION

The modes of operation of the NM27C020 are listed in Table 1. A single 5V power supply is required in the read mode. All inputs are TTL levels except for  $V_{PP}$  and A9 for device signature.

**TABLE 1. Modes Selection**

Mode	Pins	$\overline{CE}$	$\overline{OE}$	PGM	$V_{PP}$	$V_{CC}$	Outputs
Read		$V_{IL}$	$V_{IL}$	X (Note 18)	X	5.0V	$D_{OUT}$
Output Disable		X	$V_{IH}$	X	X	5.0V	High Z
Standby		$V_{IH}$	X	X	X	5.0V	High Z
Programming		$V_{IL}$	$V_{IH}$	$V_{IL}$	12.75V	6.25V	$D_{IN}$
Program Verify		$V_{IL}$	$V_{IL}$	$V_{IH}$	12.75V	6.25V	$D_{OUT}$
Program Inhibit		$V_{IH}$	X	X	12.75V	6.25V	High Z

**Note 18:** X can be  $V_{IL}$  or  $V_{IH}$ .

To most efficiently use these two control lines, it is recommended that  $\overline{CE}$  be decoded and used as the primary device selecting function, while  $\overline{OE}$  be made a common connection to all devices in the array and connected to the READ line from the system control bus. This assures that all selected memory devices are in their low power standby modes and that the output pins are active only when data is desired from a particular memory device.

#### Programming

**CAUTION:** Exceeding 14V on pin 1 ( $V_{PP}$ ) will damage the device.

Initially, and after each erasure, all bits of the device are in the "1's" state. Data is introduced by selectively programming "0's" into the desired bit locations. Although only "0's" will be programmed, both "1's" and "0's" can be presented in the data word. The only way to change a "0" to a "1" is by ultraviolet light erasure.

The part is in the programming mode when the  $V_{PP}$  power supply is at 12.75V and  $\overline{OE}$  is at  $V_{IH}$ . It is required that at least a 0.1  $\mu$ F capacitor be placed across  $V_{PP}$ ,  $V_{CC}$  to ground to suppress spurious voltage transients which may damage the device. The data to be programmed is applied 8 bits in parallel to the data output pins. The levels required for the address and data inputs are TTL.

When the address and data are stable, an active low, TTL program pulse is applied to the PGM input. A program pulse must be applied at each address location to be programmed. The EPROM is programmed with the Turbo Programming Algorithm shown in Figure 1. Each Address is programmed with a series of 50  $\mu$ s pulses until it verifies good, up to a maximum of 10 pulses. Most memory cells will program with a single 50  $\mu$ s pulse. (The standard National Semiconductor Algorithm may also be used but it will have longer programming time.) The EPROM must not be programmed with a DC signal applied to the PGM input. Programming multiple EPROM in parallel with the same data can be easily accomplished due to the simplicity of the programming requirements. Like inputs of the parallel EPROM may be connected together when they are programmed with the same data. A low level TTL pulse applied to the PGM input programs the paralleled EPROM.

## Functional Description (Continued)

### Program Inhibit

Programming multiple EPROM's in parallel with different data is also easily accomplished. Except for CE all like inputs (including OE) of the parallel EPROM may be common. A TTL low level program pulse applied to an EPROM's  $\overline{\text{CE}}$  with  $V_{PP}$  at 12.75V will program that EPROM. A TTL high level CE input inhibits the other EPROM's from being programmed.

### Program Verify

A verify should be performed on the programmed bits to determine whether they were correctly programmed. The verify may be performed with  $V_{PP}$  at 12.75V.  $V_{PP}$  must be at  $V_{CC}$ , except during programming and program verify.

### MANUFACTURER'S IDENTIFICATION CODE

The part has a manufacturer's identification code to aid in programming. When the device is inserted in an EPROM programmer socket, the programmer reads the code and then automatically calls up the specific programming algorithm for the part. This automatic programming control is only possible with programmers which have the capability of reading the code.

The Manufacturer's Identification code, shown in Table 2, specifically identifies the manufacturer and device type. The code for the NM27C020 is "8F8E," where "8F" designates that it is made by Fairchild Semiconductor, and "8E" designates a 2 Megabit byte-part.

The code is accessed by applying 12V  $\pm$ 0.5V to address pin A9. Addresses and control pins are held at  $V_{IL}$ , except A0. Address pin A0 is held at  $V_{IL}$  for the manufacturer's code, and held at  $V_{IH}$  for the device code. The code is read on the eight data pins, O0 –O7. Proper code access is only guaranteed at 25°C  $\pm$  5°C.

### ERASURE CHARACTERISTICS

The erasure characteristics of the device are such that erasure begins to occur when exposed to light with wavelengths shorter than approximately 4000 Angstroms (Å). It should be noted that sunlight and certain types of fluorescent lamps have wavelengths

in the 3000Å – 4000Å range. After programming, opaque labels should be placed over the EPROM window to prevent unintentional erasure. Covering the window will also prevent temporary functional failure due to the generation of photo currents.

The recommended erasure procedure for the EPROM is exposure to short wave ultraviolet light which has a wavelength of 2537Å. The integrated dose (i.e., UV intensity X exposure time) for erasure should be a minimum of 15W-sec/cm<sup>2</sup>. The device should be placed within 1 inch of the lamp tubes during erasure. The device should be placed within 1 inch of the lamp tubes during erasure.

An erasure system should be calibrated periodically. The distance from lamp to device should be maintained at one inch. The erasure time increases as the square of the distance from the lamp. (if distance is doubled the erasure time increases by factor of 4). Lamps lose intensity as they age. When a lamp is changed, the distance has changed, or the lamp has aged, the system should be checked to make certain full erasure is occurring. Incomplete erasure will cause symptoms that can be misleading. Programmers, components and even system designs have been erroneously suspected when incomplete erasure was the problem.

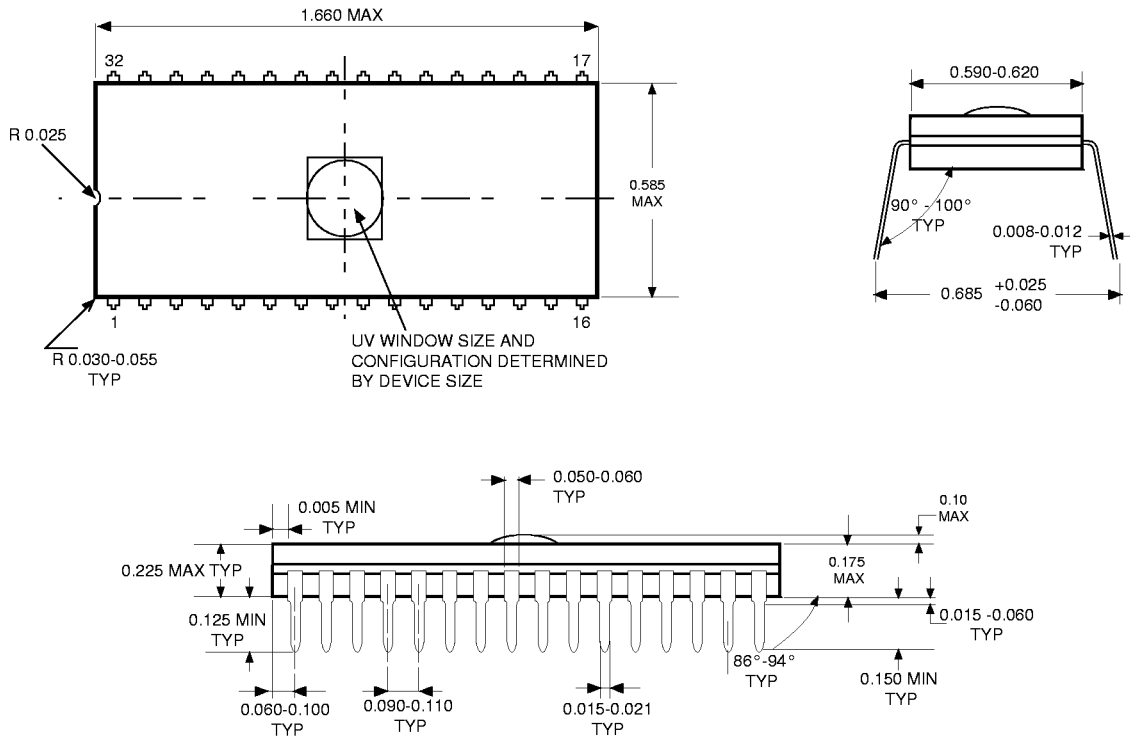
### SYSTEM CONSIDERATION

The power switching characteristics of EPROMs require careful decoupling of the devices. The supply current,  $I_{CC}$ , has three segments that are of interest to the system designer: the standby current level, the active current level, and the transient current peaks that are produced by voltage transitions on input pins. The magnitude of these transient current peaks is dependent on the output capacitance loading of the device. The associated  $V_{CC}$  transient voltage peaks can be suppressed by properly selected decoupling capacitors. It is recommended that at least a 0.1  $\mu$ F ceramic capacitor be used on every device between  $V_{CC}$  and GND. This should be a high frequency capacitor of low inherent inductance. In addition, at least a 4.7  $\mu$ F bulk electrolytic capacitor should be used between  $V_{CC}$  and GND for each eight devices. The bulk capacitor should be located near where the power supply is connected to the array. The purpose of the bulk capacitor is to overcome the voltage drop caused by the inductive effects of the PC board traces.

**TABLE 2. Manufacturer's Identification Code**

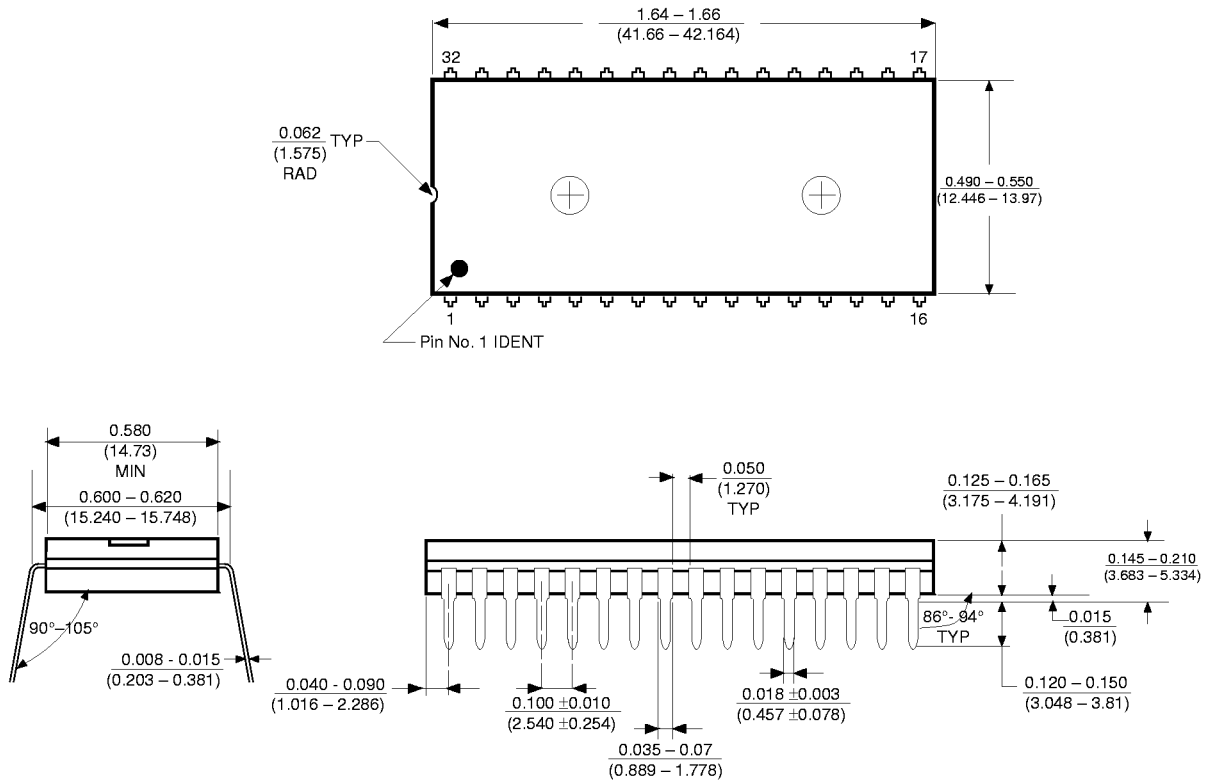
Pins	A0 (12)	A9 (26)	O7 (21)	O6 (19)	O5 (18)	O4 (17)	O3 (16)	O2 (15)	O1 (14)	O0 (13)	Hex Data
Manufacturer Code	$V_{IL}$	12V	1	0	0	0	1	1	1	1	8F
Device Code	$V_{IH}$	12V	0	0	0	0	0	1	1	1	07

**Physical Dimensions** inches (millimeters) unless otherwise noted



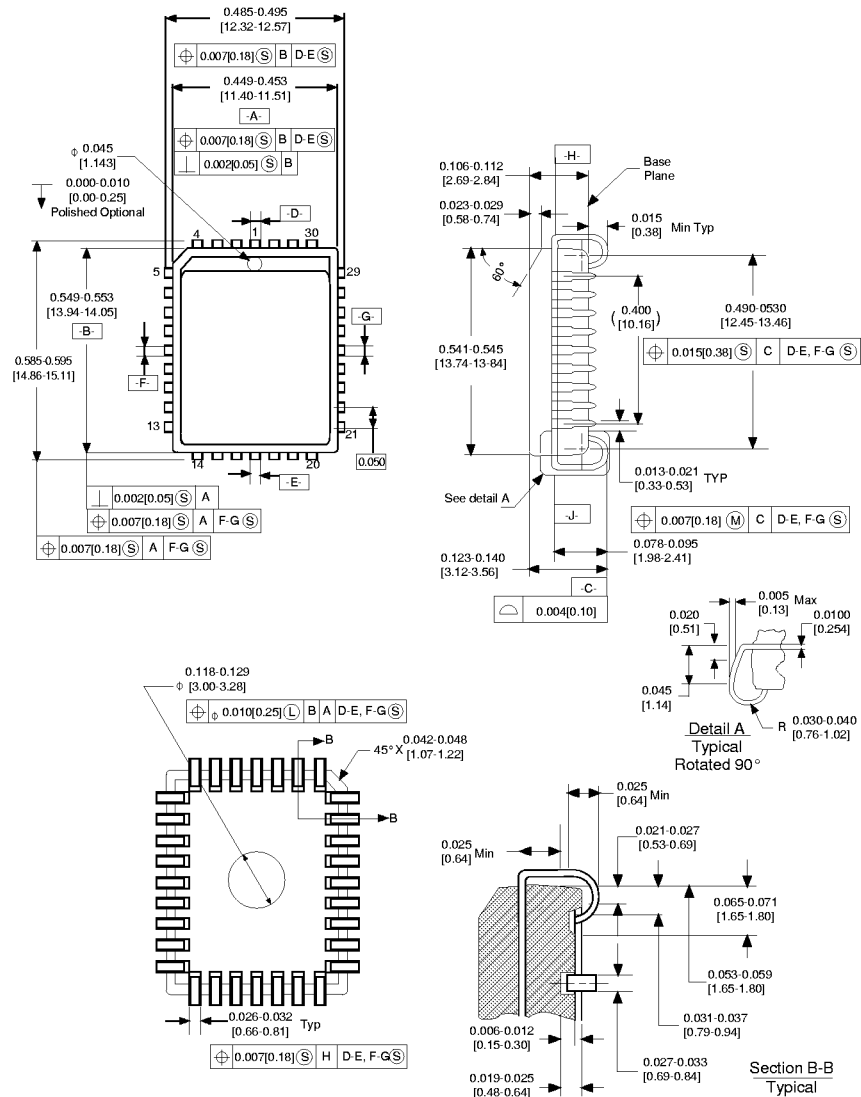
**32-Lead EPROM Ceramic Dual-In-Line Package (Q)**  
**Order Number NM27C020Q**  
**Package Number J32AQ**

**Physical Dimensions** inches (millimeters) unless otherwise noted



**32-Lead PDIP Package**  
**Order Number NM27C020N**

**Physical Dimensions inches (millimeters) unless otherwise noted**



**32-Lead PLCC Package  
Order Number NM27C020V  
Package Number VA32A**

**Life Support Policy**

Fairchild's products are not authorized for use as critical components in life support devices or systems without the express written approval of the President of Fairchild Semiconductor Corporation. As used herein:

1. Life support devices or systems are devices or systems which, (a) are intended for surgical implant into the body, or (b) support or sustain life, and whose failure to perform, when properly used in accordance with instructions for use provided in the labeling, can be reasonably expected to result in a significant injury to the user.
2. A critical component is any component of a life support device or system whose failure to perform can be reasonably expected to cause the failure of the life support device or system, or to affect its safety or effectiveness.

**Fairchild Semiconductor  
Americas  
Customer Response Center**  
Tel: 1-888-522-5372

**Fairchild Semiconductor  
Europe**  
Deutsch Tel: +44 (0) 1793-856858  
English Tel: +44 (0) 1793-856856  
Français Tel: +33 (0) 1-6930-3696  
Italiano Tel: +39 (0) 2-249111-1

**Fairchild Semiconductor  
Hong Kong**  
8/F, Room 808, Empire Centre  
68 Mody Road, Tsimshatsui East  
Kowloon, Hong Kong  
Tel: +852-2722-8338  
Fax: +852-2722-8383

**Fairchild Semiconductor  
Japan Ltd.**  
4F, Natsume Bldg.  
2-18-6, Yushima, Bunkyo-ku  
Tokyo, 113-0034 Japan  
Tel: 81-3-3818-8840  
Fax: 81-3-3818-8841

Fairchild does not assume any responsibility for use of any circuitry described, no circuit patent licenses are implied and Fairchild reserves the right at any time without notice to change said circuitry and specifications.